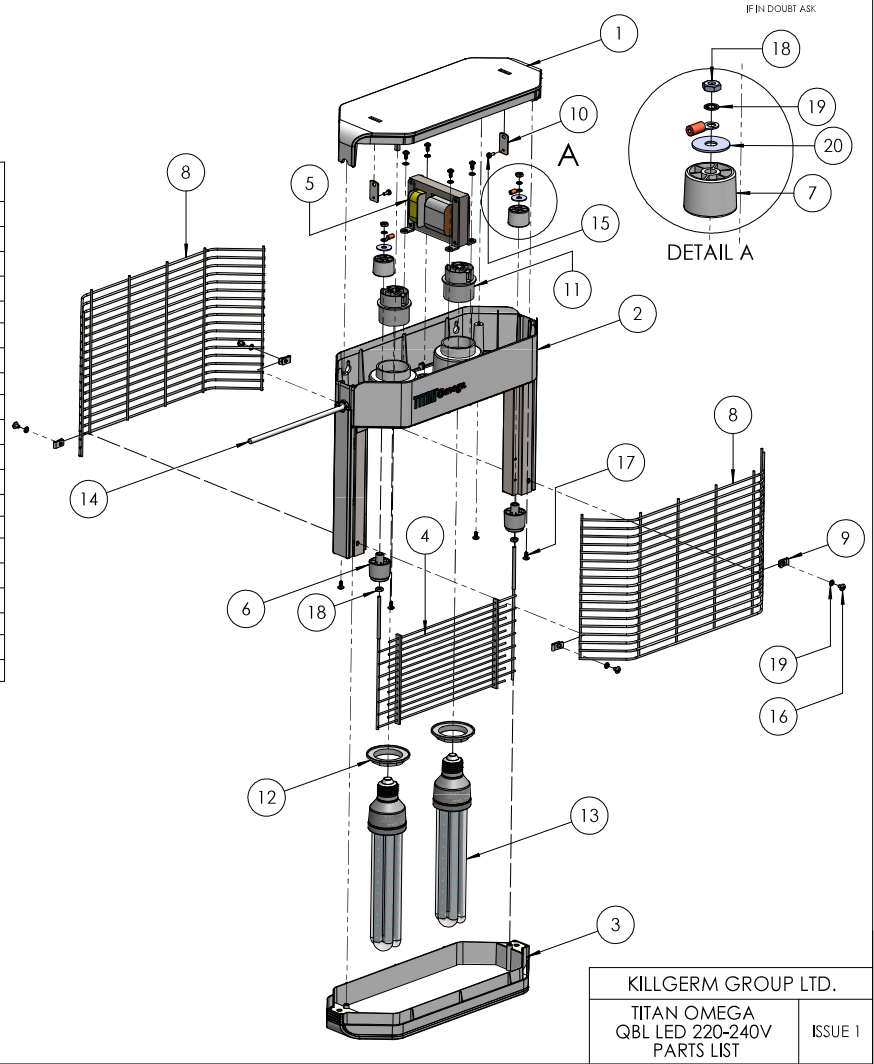


# TITAN OMEGA QBL LED

## 220-240V 50-60Hz

### PARTS LIST

ITEM NO.	DESCRIPTION	PART NUMBER	QTY.
1	Top Cover	NA	1
2	Chassis Tray	NA	1
3	Catch Tray	802-000635	1
4	Killing Grid	NA	1
5	4Kv Transformer 220-240V	800-000921	1
6	Lower Insulator Moulding	NA	2
7	Upper Insulator Moulding	NA	2
8	Chrome Guard	NA	2
9	Guard Retention Clip	NA	4
10	Ceiling Suspension Tab	NA	2
11	E27 Lampholder Socket	NA	2
12	E27 Fixing Ring	NA	2
13	QBL LED E27 10W Bulb 100-240V	130-000340	2
14	Power Cable 2 Meter (Hard Wired) White	NA	1
15	M3 x 8mm Phillips Head Screw	NA	2
16	M4 x 6mm Phillips Head Dome Screw	NA	4
17	4 x 8mm Plas Tech Phillips Head Dome Screw	NA	10
18	M4 Nut	NA	6
19	M4 Shakeproof Washer	NA	10
20	M6 x 20mm Washer	NA	2



**CONFIDENTIAL** - THIS DOCUMENT CONTAINS CONFIDENTIAL AND PROPRIETARY INFORMATION THAT CANNOT BE REPRODUCED OR DIVULGED, IN WHOLE OR IN PART, WITHOUT AUTHORIZATION IN WRITING FROM KILLGERM GROUP LIMITED.

KILLGERM GROUP LTD.  
**TITAN OMEGA**  
**QBL LED 220-240V**  
**PARTS LIST**      ISSUE 1